



THE SMARTEST SEATING EXPERIENCE

AUDITORIUM

seating

2021 - 2022

Education venues - Places of worship - PACs

AU



NOVA

p7



ECCO

p10

DI T C

CONTENT

- Company
- Products
- Accessories
- Referrals

p3

p7

p22

p23



SVELTA

p13



LIRA

p16

RIUM



MILA

p19

WE ARE PASSIONATE
ABOUT WHAT WE DO SINCE

1956

in **INORCA SEATING** we generate value through innovative products, at the right price, personalized, incorporating all the necessary technological resources, added to our experience, dedication, dynamism, responsibility and talent of our people.

We are leaders in the design and manufacture of furniture for a wide range of sectors, among which *Auditoriums* stands out.

Our range of seats offers comfort, aesthetics, functionality, and durability. We support the needs of our clients, **always having their well-being and satisfaction as a goal.**





WORLD CLASS DESIGN MANUFACTURING AND SERVICE

We are leaders in our country and in the American Continent, and we have presence in 25 countries, on 4 continents.

Three manufacturing facilities with more than 17,000 m² of productive area, strategically located to serve the national and international markets, give life to each one of our products.



INORCA SEATING AUDITORIUMS

We have a wide portfolio of seats that stand out for their quality, world-class design, comfort and versatility.

Our seats are manufactured under high quality standards, certified by ISO 9001

We are constantly working on innovation and development processes for new products and services.



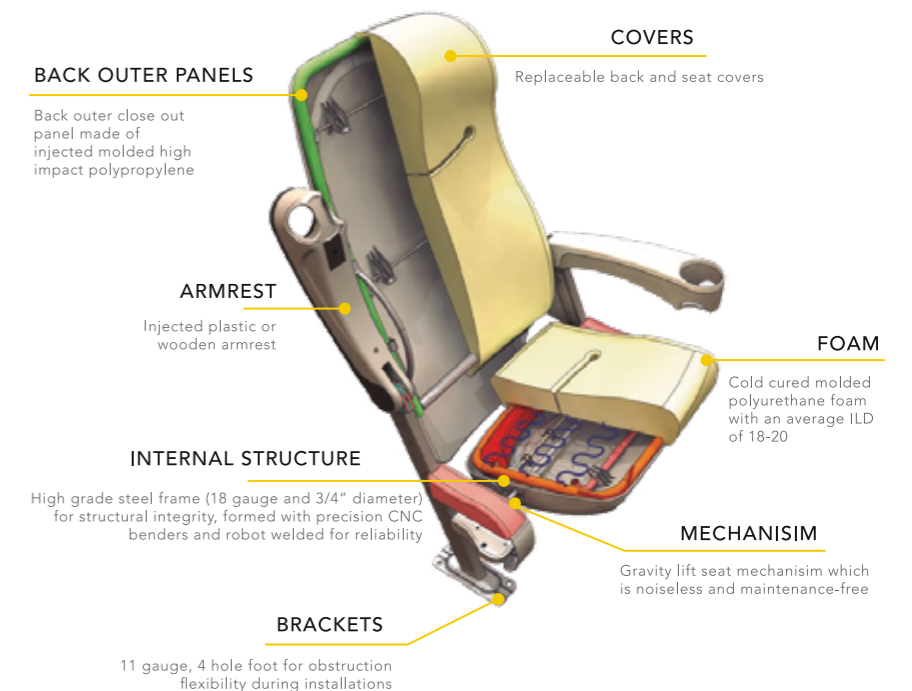
TRADITIONAL ARCHITECTURE

We have a wide variety of materials for upholstery in fabric, or vinyl. Its removable system without staples or glue, makes it easily interchangeable.

Dimensional flexibility with widths from 19 "to 23" (482 to 584mm) and heights from 35 "to 40" (890 to 1016 mm), according to each reference.

Shared centers for a better use of space, and the possibility of linear installation, radial or on slopes.

Possibility of adding between 15% and 20% more seats, due to the folding mechanism that offers a reduced envelope.



Auditoriums and PAC



Education



Places of worship

CERTIFICATIONS

ISO 9001:2015
Quality Management System



FSC FOREST MANAGEMENT
Required to wood suppliers

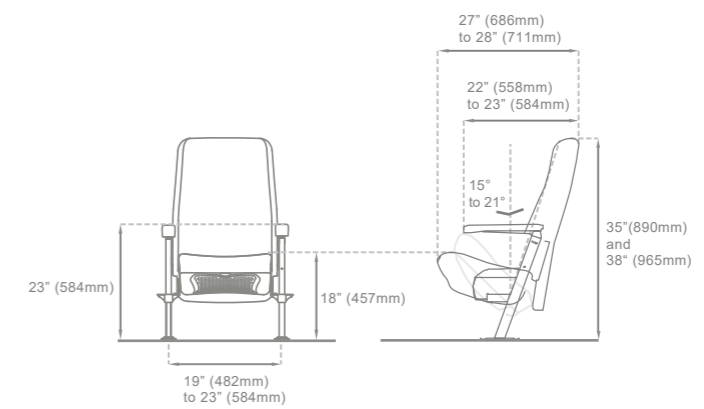






NOVA

Our
BEST-SELLER





Space Saving Envelope

Maximize the space between rows, allowing a bigger number of chairs in the auditorium.



Freedom

Without armrests to maximize the width of the seat, and increase comfort.



End Panels

With a wide variety of finishes that give it a unique appearance.



Education

Folding table with ergonomic design for an accommodation of the forearm.



LAFON ARTS CENTER, USA



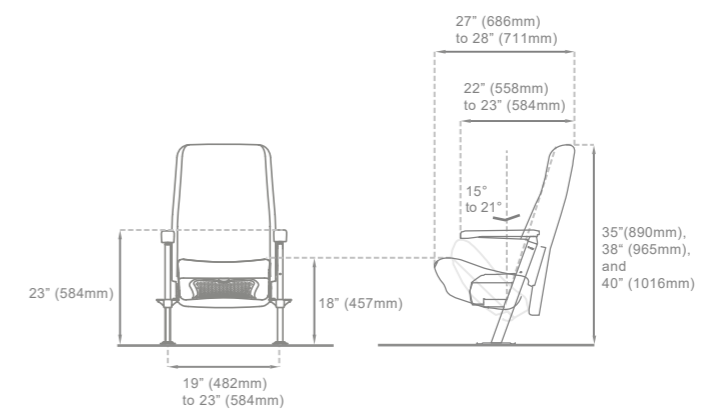
CENTRAL CHRISTIAN CHURCH

Arizona, USA



ECCO

A
SLIMMER VERSION





Space Saving Envelope

Maximize the space between rows, allowing a bigger number of chairs in the auditorium.



Freedom

Without armrests to maximize the width of the seat, and increase comfort.



End Panels

With a wide variety of finishes that give it a unique appearance.



CASA SOBRE LA ROCA, Colombia

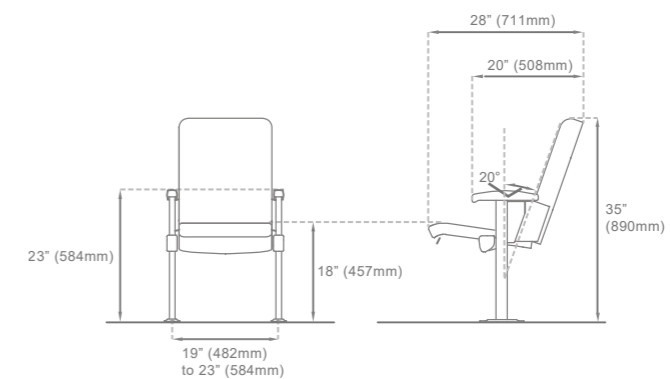


VOYAGERS BIBLE CHURCH

California, USA



SVELTA

 | *Our most COMPACT SEAT*



Mix & Match
Combination of two colors for the upholstery



COLEGIO MONTESSORI, Colombia



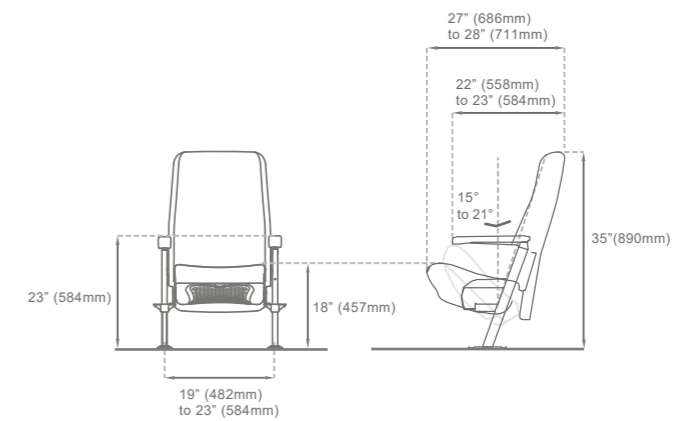
INSTITUTO JUSTO AROSEMENA

San Miguelito, Panamá



LIRA

*A modern
LOOK*





Space Saving Envelope

Maximize the space between rows, allowing a bigger number of chairs in the auditorium.



Freedom

Without armrests to maximize the width of the seat, and increase comfort.



End Panels

With a wide variety of finishes that give it a unique appearance.



Education

Folding table with ergonomic design for an accommodation of the forearm.





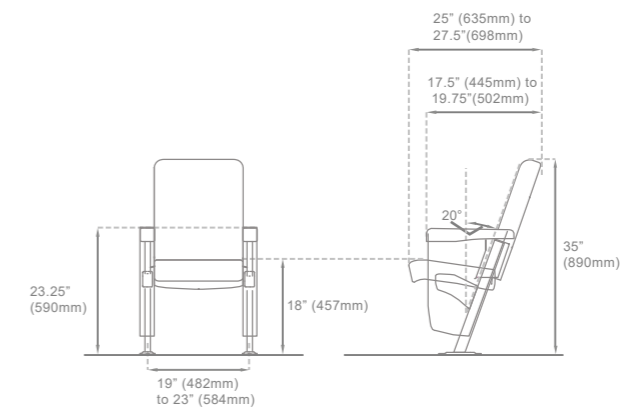
GRUPO MAVESA

Ecuador



MILA

A fresh design
AND CONTEMPORARY





Carteras

With a wide variety of finishes that give it a unique appearance.



Freedom

Folding table with ergonomic design for an accommodation of the forearm.





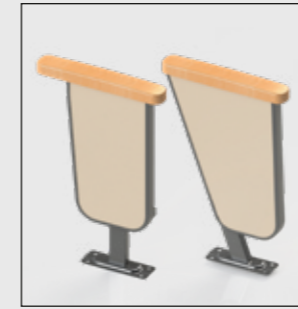
QUEEN ELIZABETH

Canada

ACCESSORIES

	INORVA Seating	Height 35"	Height 38"	Height 40"	Width 19" a 23"	Width 21" a 23"	Upright in T shape	Upright in Z shape	Writing surface	HPL-metal end panel	Fabric-Metal end panel	Upholstered end panel	Laminated end panel	Wooden end panel	Thermolaminated end panel	Wooden armcap	Laminated armcap	Plastic armcap	Cupholder	Thermolaminated armcap	ADA armcap	Upholstered covers	Plastic / acoustic covers	Thermolaminated covers	Laminated covers	Wooden covers	3D head support
NOVA		•	•	•	•	•	•	•	•	•	•	•	•	•	•	•	•	•	•	•	•	•	•	•	•	•	•
NOVA CON MESA		•	•	•	•	•	•	•	•	•	•	•	•	•	•	•	•	•	•	•	•	•	•	•	•	•	•
ECCO		•	•	•	•	•	•	•	•	•	•	•	•	•	•	•	•	•	•	•	•	•	•	•	•	•	•
SVELTA		•	•	•	•	•	•	•	•	•	•	•	•	•	•	•	•	•	•	•	•	•	•	•	•	•	•
LIRA		•	•	•	•	•	•	•	•	•	•	•	•	•	•	•	•	•	•	•	•	•	•	•	•	•	•
LIRA CON MESA		•	•	•	•	•	•	•	•	•	•	•	•	•	•	•	•	•	•	•	•	•	•	•	•	•	•
MILA		•	•	•	•	•	•	•	•	•	•	•	•	•	•	•	•	•	•	•	•	•	•	•	•	•	•

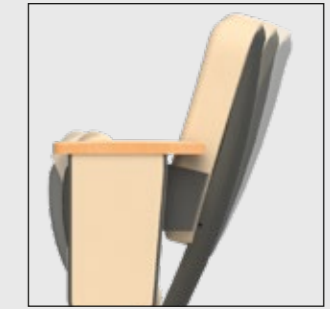
*A wide variety of accessories and configurations is available, request the family brochure corresponding to the reference



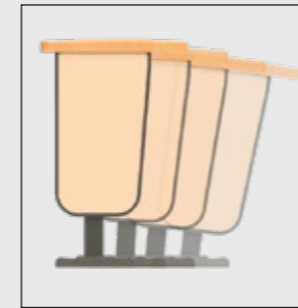
Two different shapes (T - Z) for the end row panel.



5 widths (19"-23" / 482-584mm) and 2 heights (35" and 38" / 890 and 965mm). Our Freedom model feature no arms in center, only on end of aisle rows.



The backrest suits three-pitch positions at 15°, 18°, 21°. Seat suits at 90° for Space saving envelope, and 75° for standard position.



Uprights can be mounted on sloped floors from 0 to 10 degrees



A tablet arm (two sizes available) provides a useful surface to write and can be stored out of the way.



ADA access guaranteed thanks to a flip-up arm



Plastic cover protects the anchor plate assembly and improves aesthetics.



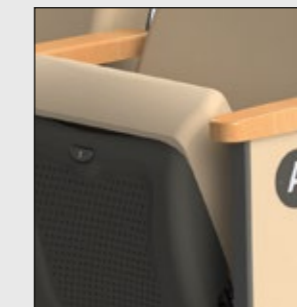
Different options for the armcap, according to your needs.



Plastic, laminated or, upholstered back seat cover options.



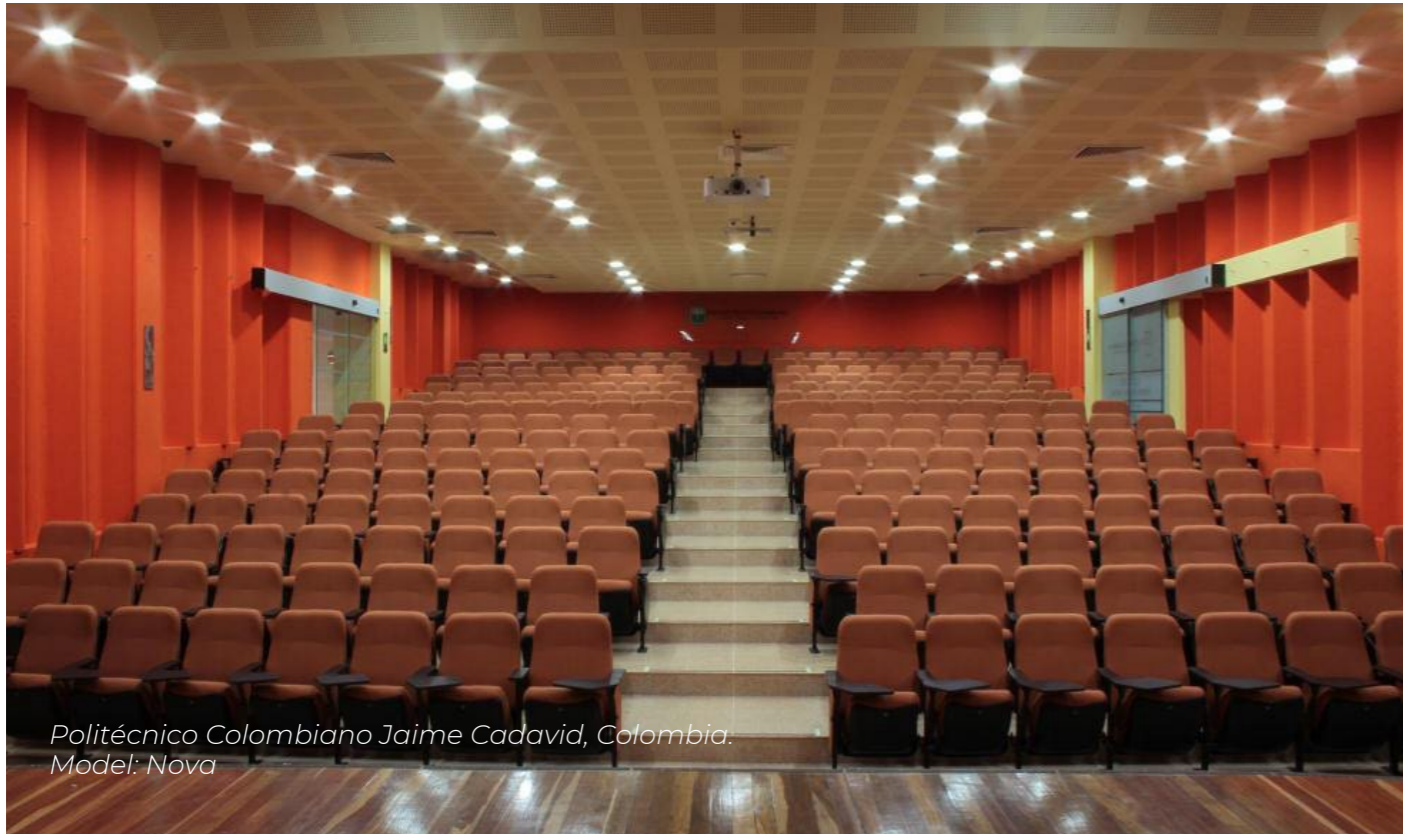
A wide range of options (plastic, wooden, upholstered or, laminated) for end panels helps to



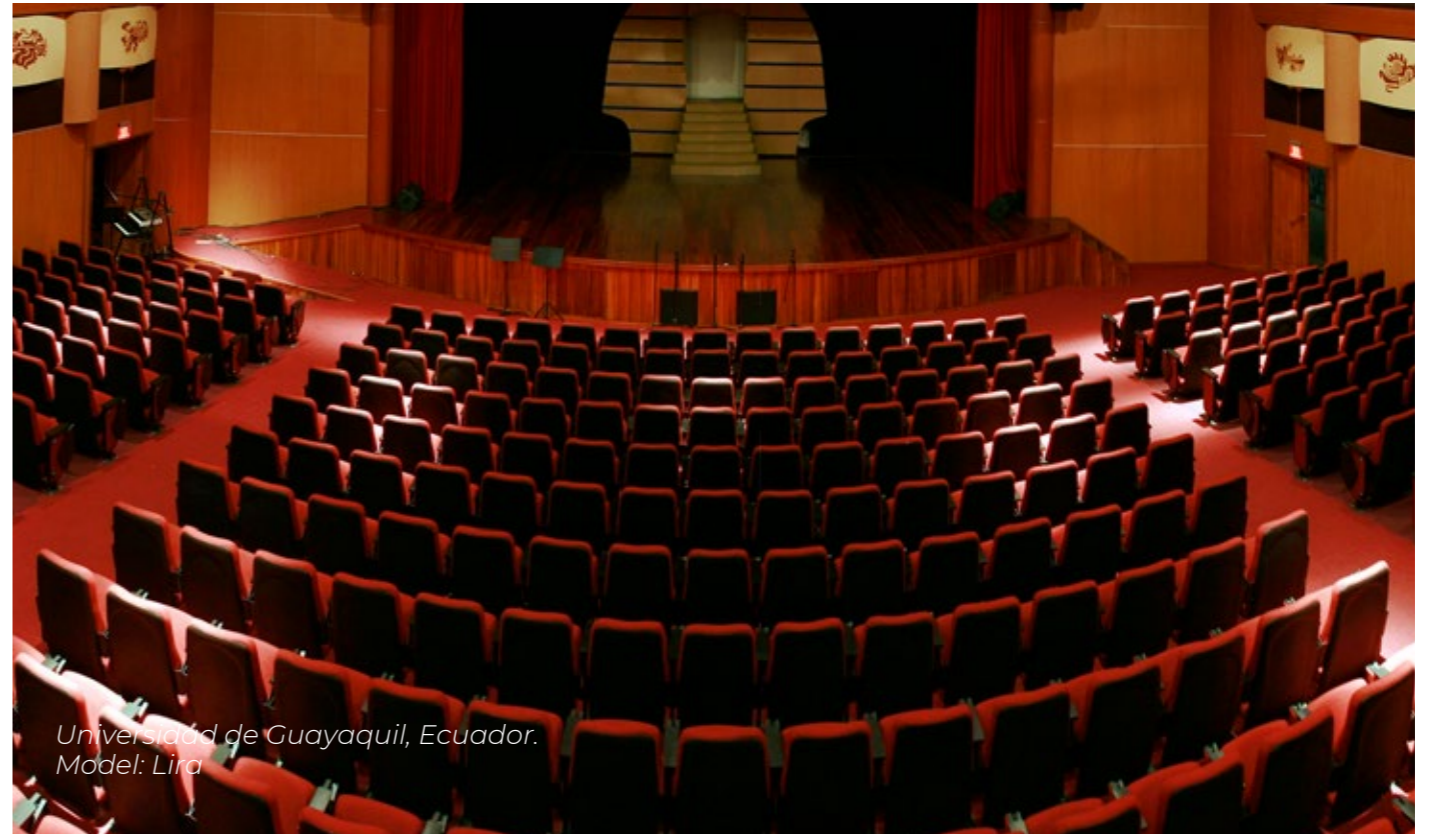
Row markers in the end panels and numbering by seat.



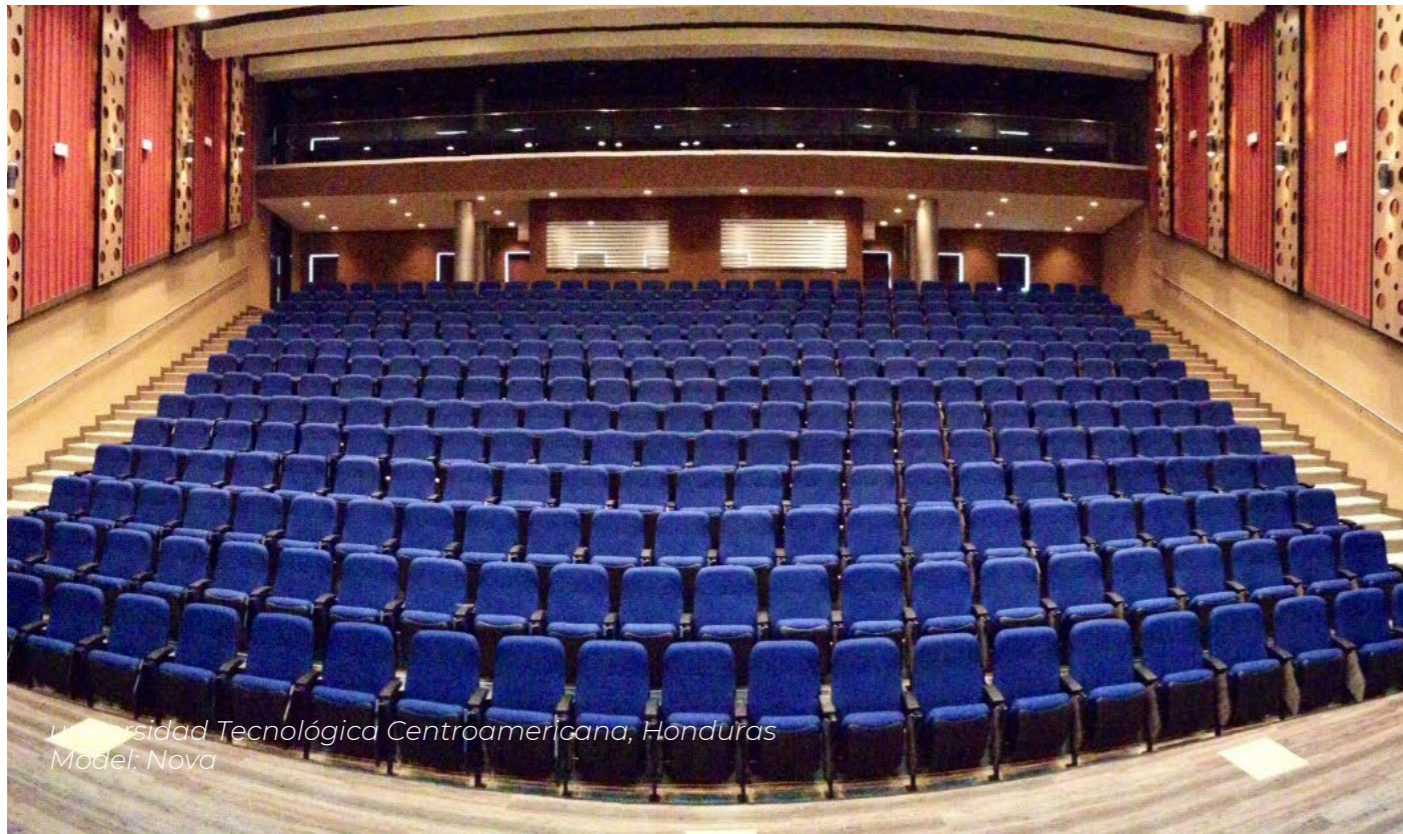
An aisle light can be added to end panels for a better wayfinding.



*Politécnico Colombiano Jaime Cadavid, Colombia.
Model: Nova*



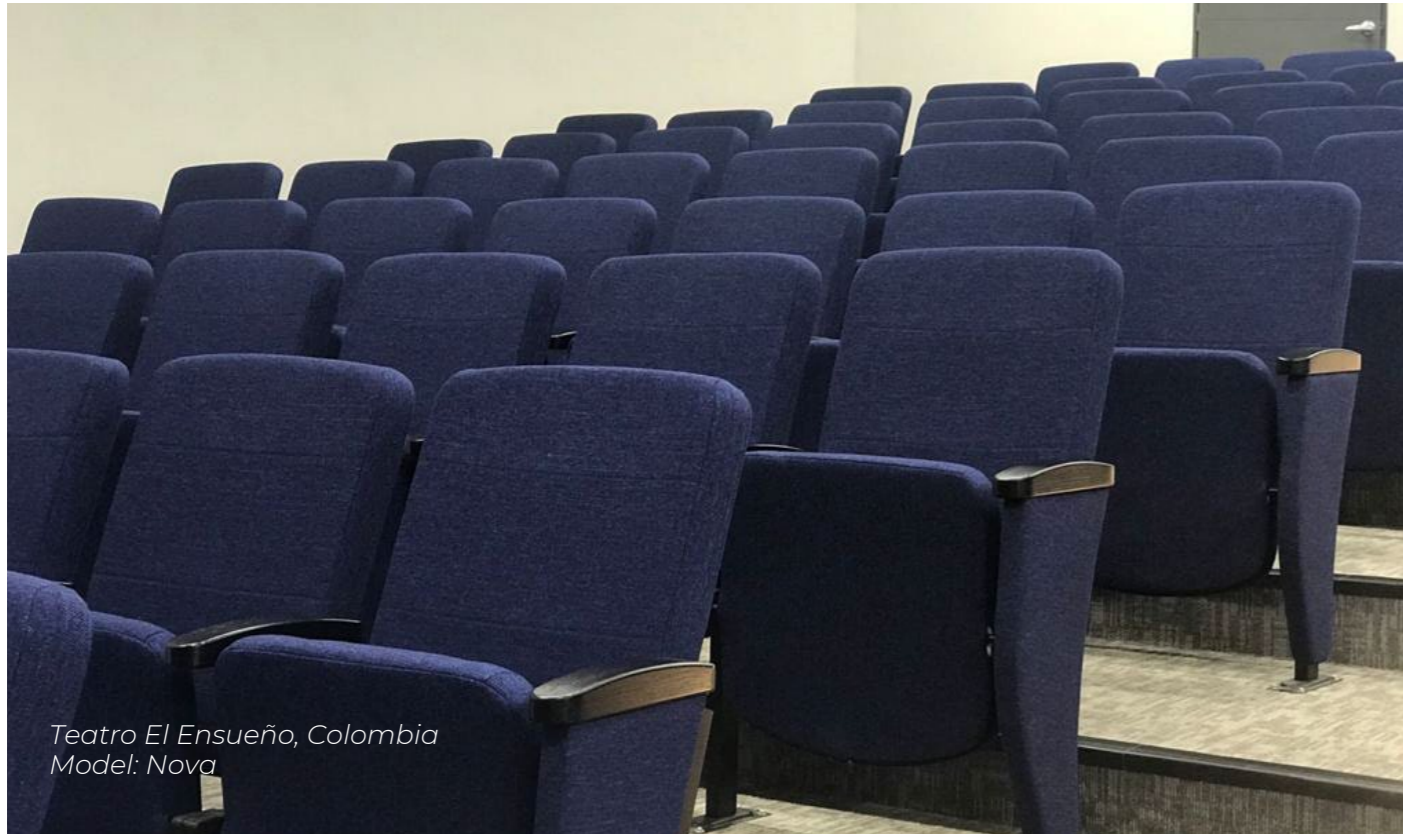
*Universidad de Guayaquil, Ecuador.
Model: Lira*



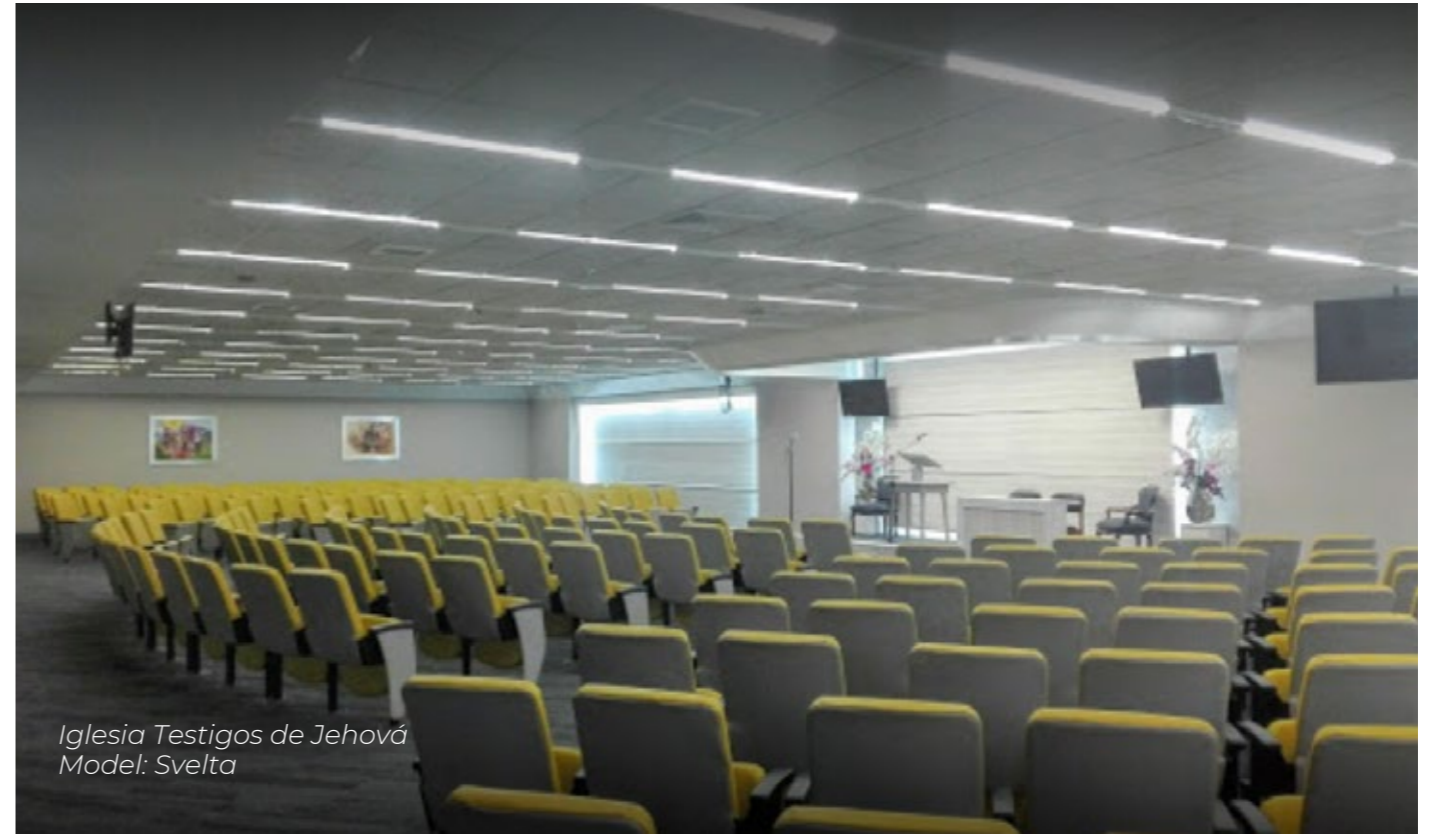
*Universidad Tecnológica Centroamericana, Honduras
Model: Nova*



*Federación Ecuatoriana de Fútbol, Ecuador
Model: Nova*



*Teatro El Ensueño, Colombia
Model: Nova*



*Iglesia Testigos de Jehová
Model: Svelta*



*Lafon Arts Center, United States
Model: Nova*



*Banco Central del Ecuador, Ecuador
Model: Nova*



*Gimnasio Moderno, Colombia.
Model: Nova*



*Teatro El Ensueno, Colombia
Model: Nova*



*KEMP ISD, USA.
Model: Nova*



*Testigos de Jehova, Colombia
Model: Nova*



*Little Feet - Honduras
Model: Svelta*



*Faith Baptist Church, USA.
Model: Nova*



*All Nations Church, USA.
Model: Nova*



*Iglesia Frater, Guatemala
Model: Nova*



INORCA SAS

Calle 18 #118-85 Avenida Cañasgordas - 54 Cali, Colombia
Tel: +57 2 4896999 - Toll free from USA: +1 786 209 0299 /
www.inorca.com / info@inorca.com.co

